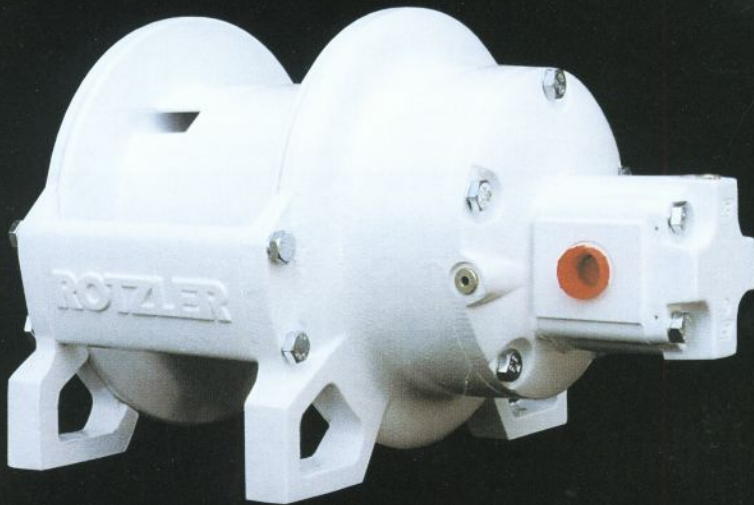


TITAN

MODEL TH 1 PLANETARY WINCH



1 METRIC TON HOIST CAPACITY

The TITAN TH 1 Planetary Hydraulic Winch features a 2 stage planetary reduction, combined with an automatic static and dynamic disc brake. A hydraulic brake or counterbalance valve is not required for safe and smooth control of a lowering load.

optional high pressure hydraulic motors - integral external brake release
stainless steel drum seal surfaces - polyester powder coating
rubber coated seals - graphite resin brake plates - no case drain required
plated or stainless steel fastener options - 2 year warranty



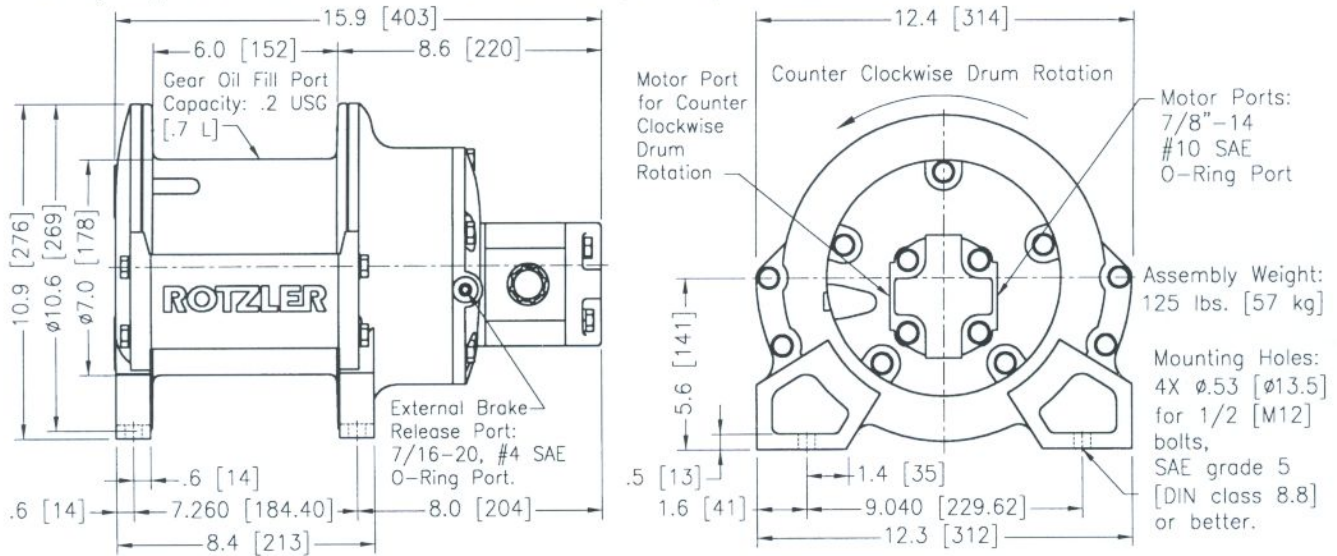
ROTZLER®

TOMORROW'S TECHNOLOGY FOR THE WORLD TODAY

TITAN MODEL TH 1

GENERAL DIMENSIONS

To safely support the load, maintain at least three wraps of rope on the Cable Drum at all times.



Dimensions are in inches [millimeters]. Cable Wedge accommodates 3/16" to 3/8" [5mm to 9mm] diameter wire rope.

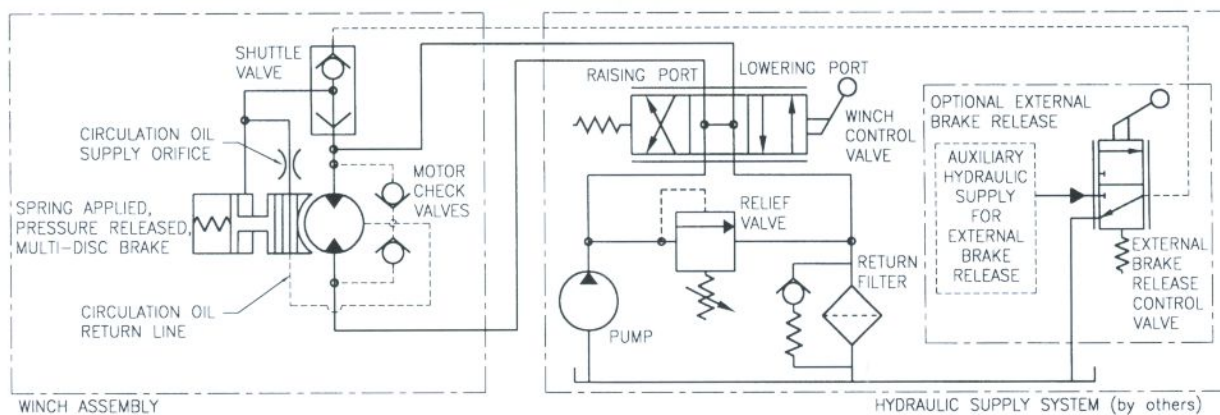
PERFORMANCE DATA

CABLE STORAGE*		SYSTEM PRESSURE ^o	SYSTEM VOLUME ^o
5/16 inch	196 feet	Maximum: 2350 psi [162 bar]	Maximum: 10.2 USGPM [39 l/min]
3/8 inch	128 feet	MAXIMUM LINE PULL ^o	MAXIMUM LINE SPEED ^o
8 mm	60 m	Bare Drum: 2200 lb [10 kN]	Bare Drum: 126 ft/min [38 m/min]
9 mm	54 m	Full Drum: 1700 lb [7.5 kN]	Full Drum: 164 ft/min [50 m/min]

* Cable storage with no free flange allowance.

^o Above specifications are based on 5/16" diameter wire rope and standard (-16) motor. Optional motors are available. Refer to factory for specifications.

TYPICAL HYDRAULIC CIRCUIT



OPTIONS: For other optional configurations or operational features, contact the factory.

Rotzler planetary hydraulic winches are not designed, nor intended to move personnel. Rotzler Inc. cannot be held responsible for accidents occurring from such use.

Rotzler Inc. reserves the right to change performance and/or dimensions without prior notice and without obligations.