

# Oilfence from AFTI

Applied Fabric Technologies, Inc.  
PO Box 575  
227 Thorn Avenue  
Orchard Park, New York 14127  
Phone: +1-716-662-0632 • Fax: +1-716-662-0636  
E-Mail: BestBoom@afti.com • Visit: [www.afti.com](http://www.afti.com)

**Available in 4 Sizes to Fit the Need**

**Stores Compactly**

**Easily Deployed & Maintained**

**Proven Durability & Long Life**

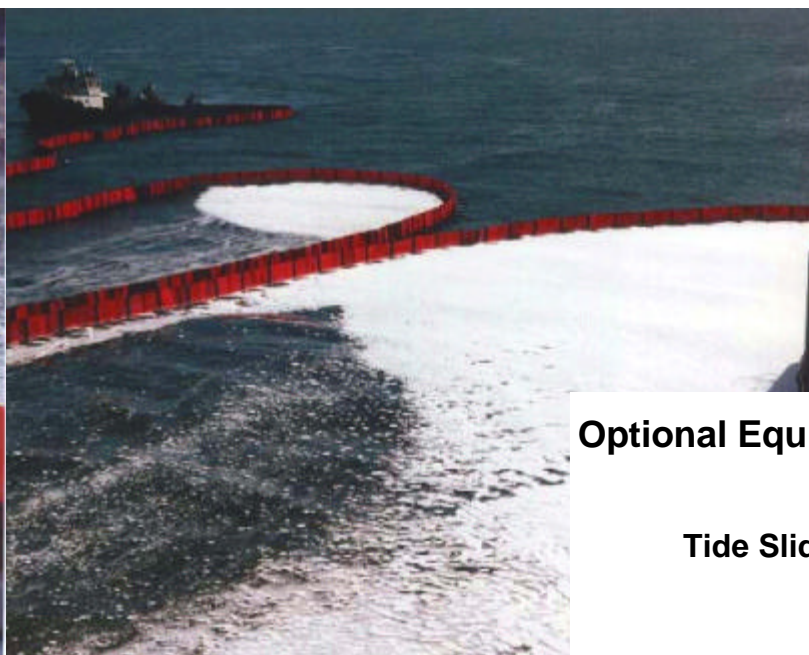
**Tensile Strength >1500 lbs./in. width**

**100 ft. Sections & Custom Lengths**

**Huge Reserve Buoyancy**

**Supports All Sorts of Attachments**

**Also an Imposing Security Barrier**



**It Works ! It Lasts !**

**Optional Equipment For Permanent Installations & Other Applications:**

**Tide Slides, Cable Guides and Mooring Sets**

**Suspended Net Systems**

**Warning Lights & Signs**

**Security Enhancements**



**Easily Deployed & Configured**

**An Imposing & Unmistakable Barrier**

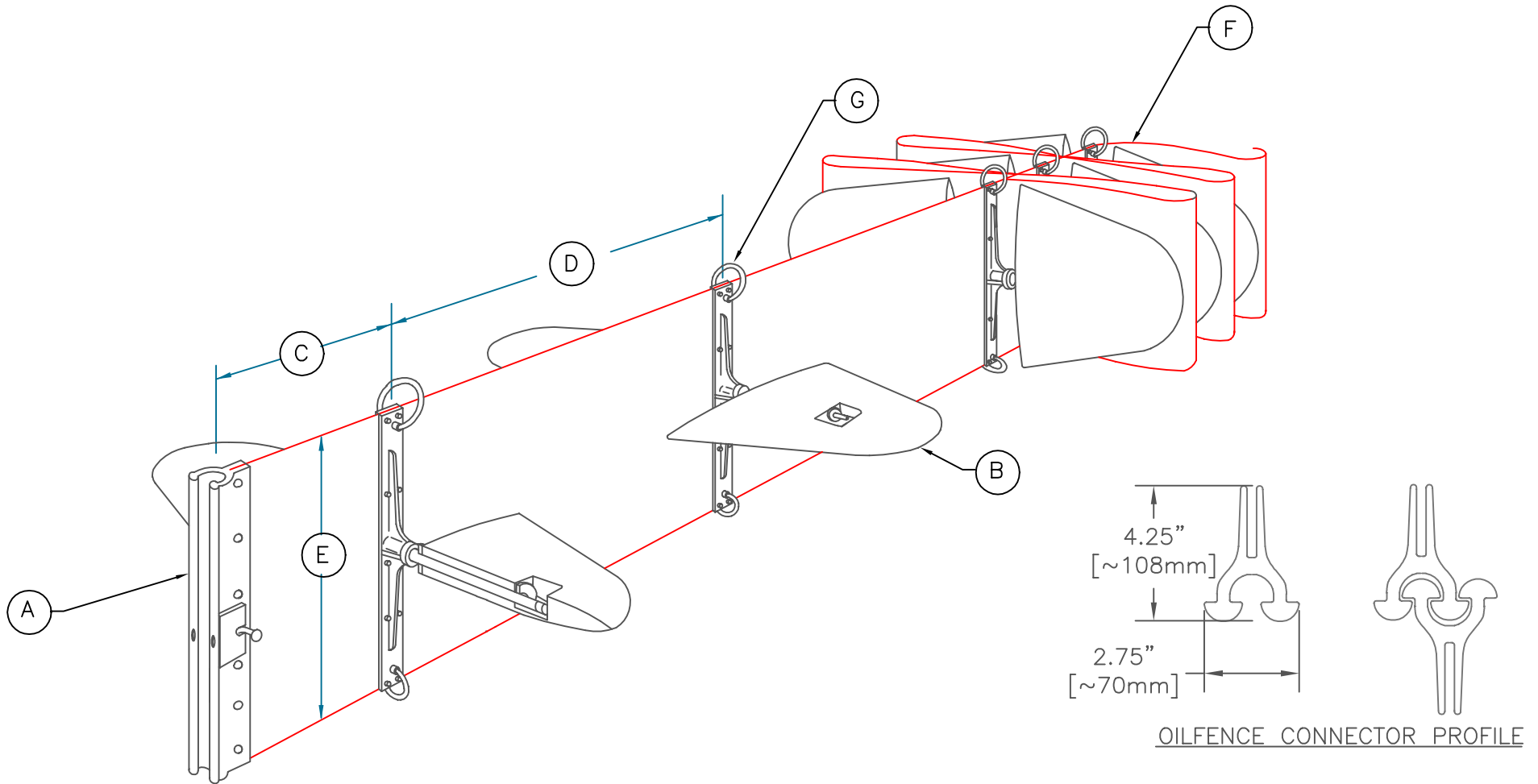
**Stores Compactly**

**Rugged & Dependable**



**From: Applied Fabric Technologies, Inc. - The Permanent Boom People**

**Notice:** This Drawing Is Provided For Illustrative Purposes Only. Dimensions And Features May Be Modified To Meet Project Or Customer Requirements Or In The Interest Of Product Improvement. This Drawing Is The Copyrighted Property Of **Applied Fabric Technologies, Inc.**



METRIC DIMENSIONS (mm) ARE IN PARENTHESES

	A	B	C	D	E	F	G
MODEL	END CONN	PADDLE SIZE	END TO FLOAT	FLOAT TO FLOAT	HEIGHT	FLOATS/100FT	LIFT RING
16	2010-01	16" (406)	22 1/2" (572)	38 1/2" (978)	16" (406)	62 (31pr.)	3" (76)
24	2010-02	24" (610)	24" (610)	48" (1219)	24" (610)	50 (25pr.)	3" (76)
36	2010-03	34" (864)	35" (889)	56 1/2" (1435)	33" (838)	42 (21pr.)	6" (152)
48	2010-04	34" (864)	24" (610)	48" (1219)	48" (1219)	50 (25pr.)	6" (152)

APPLIED FABRIC TECHNOLOGIES INC.  
227 THORN AVE. ORCHARD PARK NEW YORK USA

OILFENCE ASSEMBLIES – VARIOUS

DATE: 8-27-97

SCALE: NONE

DR.BY: S. DUNCAN

APP'D:

SIZE  
B

DWG. NO.  
1233

REV.  
B